

Start Up

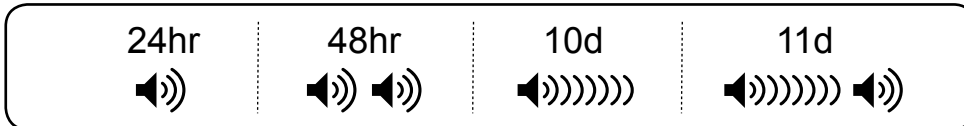
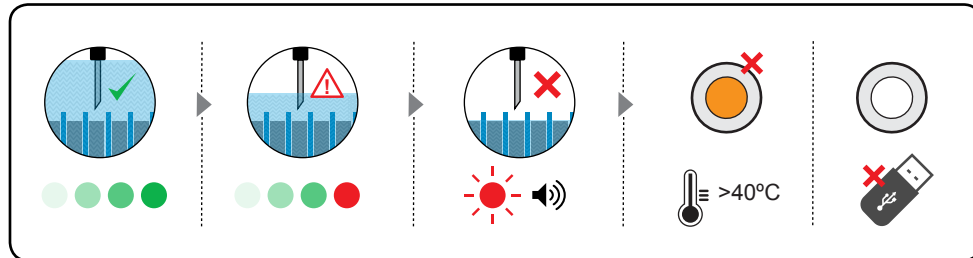
Number of Flashes	Battery Voltage Sensed
1	12V
2	24V
3	36V
4	48V
7	72V
8	80V



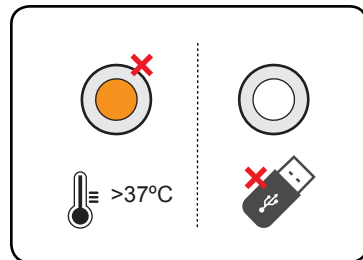
At start-up following the lamp check, the green LED will flash the number of times shown in the above table every 10 seconds for 1 minute.

Alternate RED/AMBER flashing LEDs and audible alarm will sound if the connection voltage is not stable or with the correct range.

LED Indications-E



LED Indications-G



eGO!mini

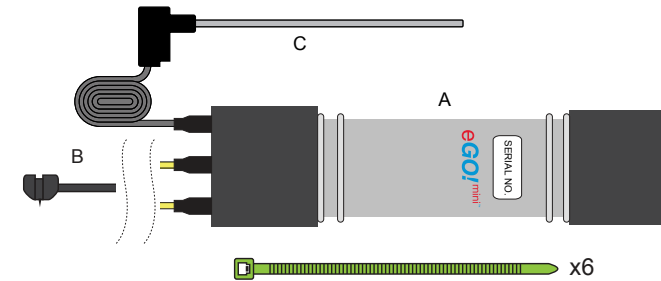
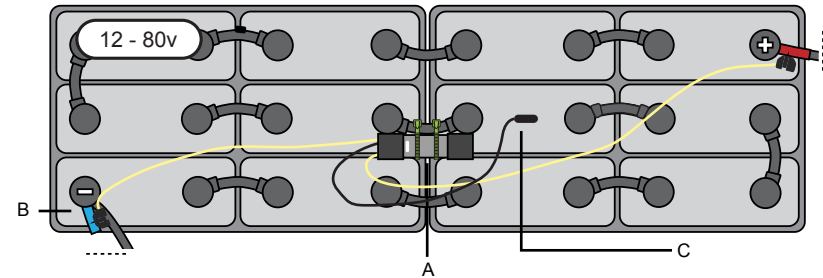
FlexiTap (Q)



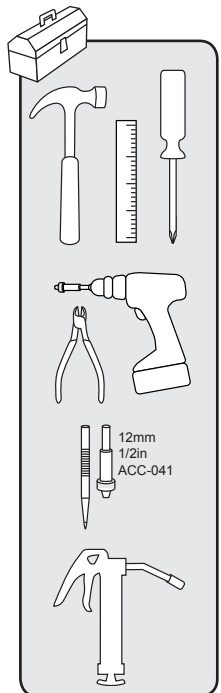
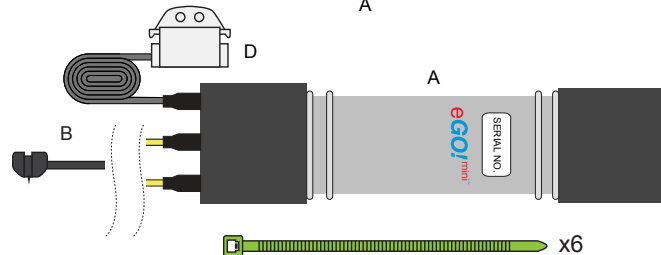
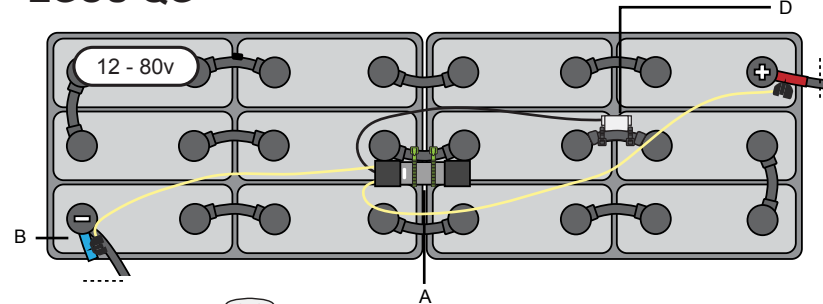
EGOU-12/-I72Q/E/G

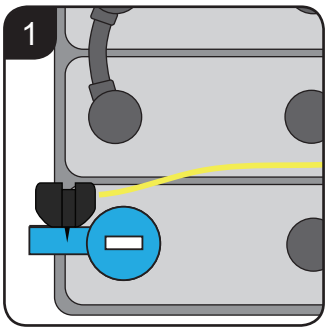


EGOU-QE

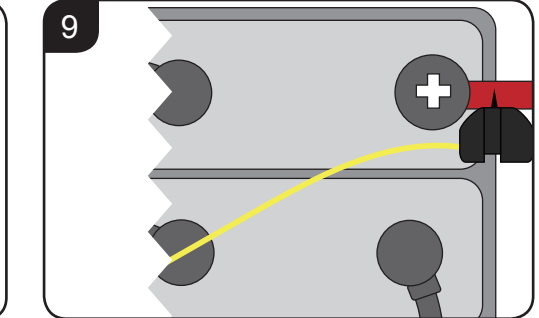
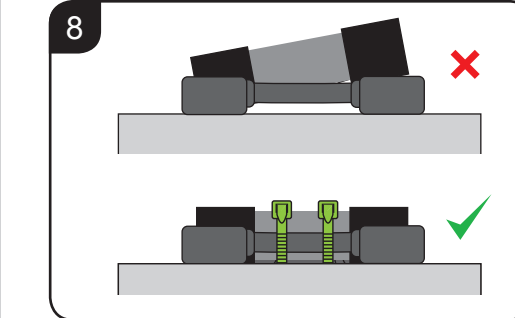
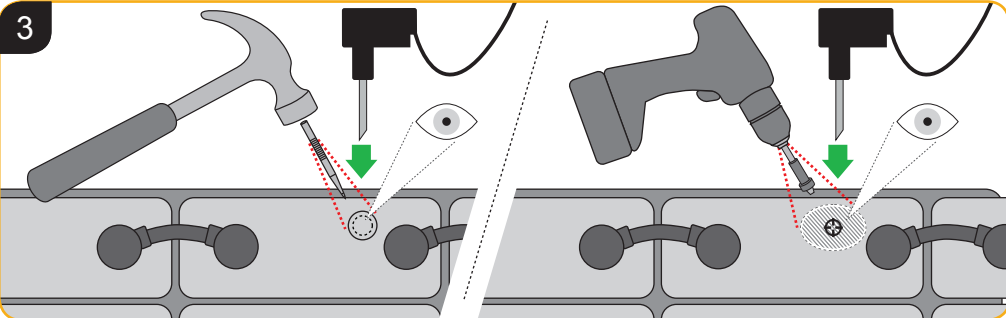
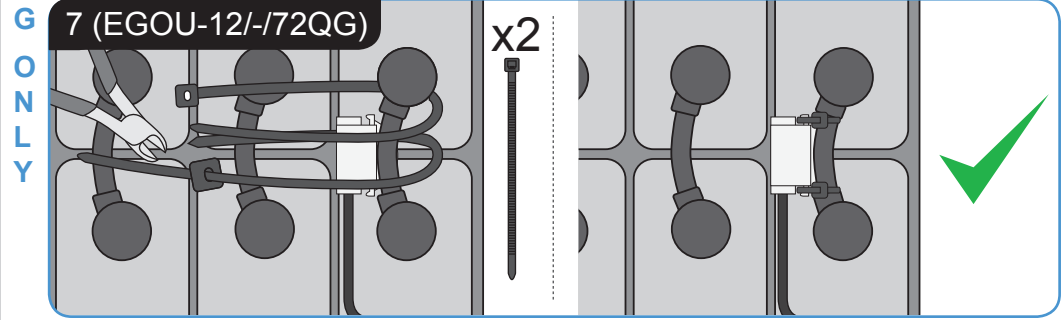
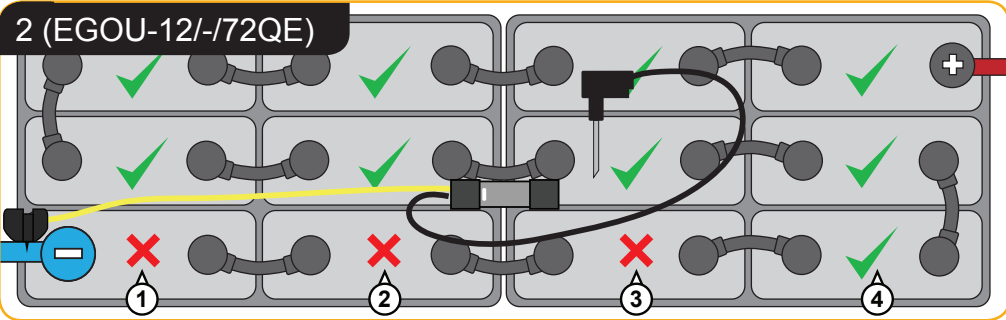
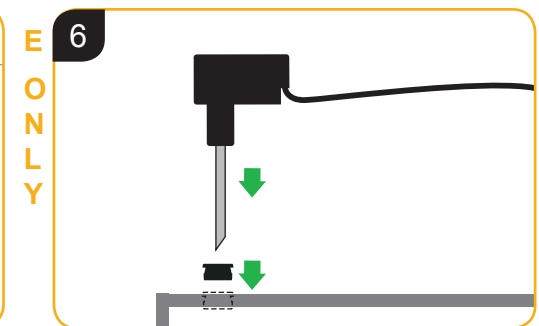
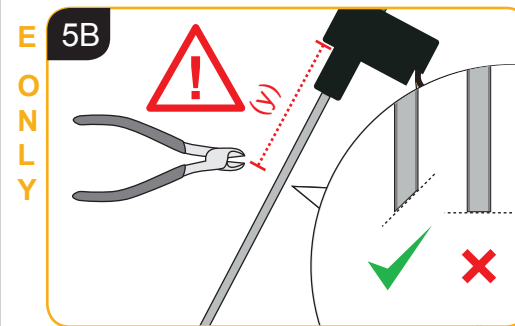
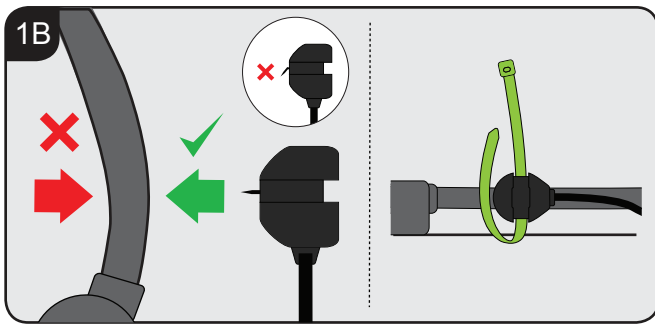


EGOU-QG

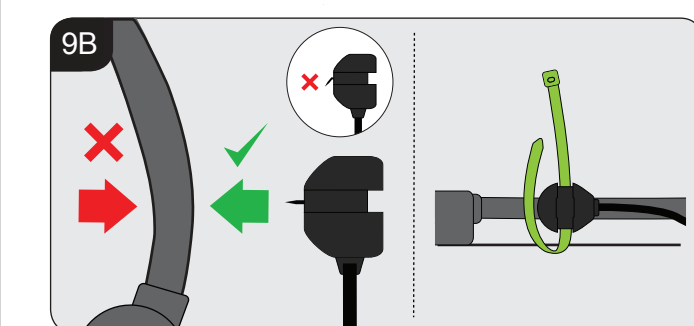
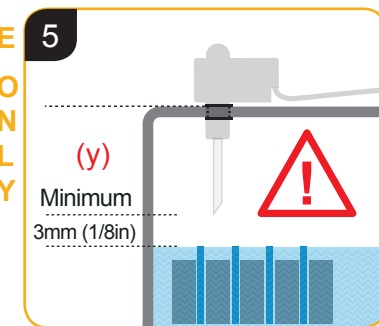
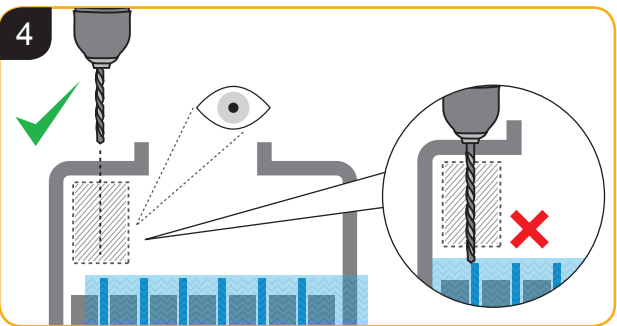




Yellow wire 1, connect to the cable as close to the negative post as possible.



Yellow wire 2, connect to the cable as close to the positive post as possible



Volts	Gel	Flooded
12	eGOU-12QG	eGOU-12QE
24-48	eGOU-QG	eGOU-QE
72	eGOU-72QG	eGOU-72QE
80	eGOU-QG	eGOU-QE

Please refer to document number DOC0219 for configuring eGO!mini and for uploading eGO!mini data.